

WESTFIELD 



WESTFIELD TRANSFER AUGERS

Westfield Transfer Augers have a simple design, are balanced for easy moving and have multiple capacities to match your needs.

Westfield transfer augers are available in 8" and 10" diameters with option of gas, electric or hydraulic drive. These low profile transfers are just 10 3/4" high and are light and manoeuvrable. The hopper fits nicely under hopper bottom bins and trailers for fast and easy unloading.

Electric Drive available on 8" and 10" and features a heavy-duty motor mount with enclosed belt guard, belts and pulley*.

Electric HP requirements 8" 3HP | 10" 5HP.

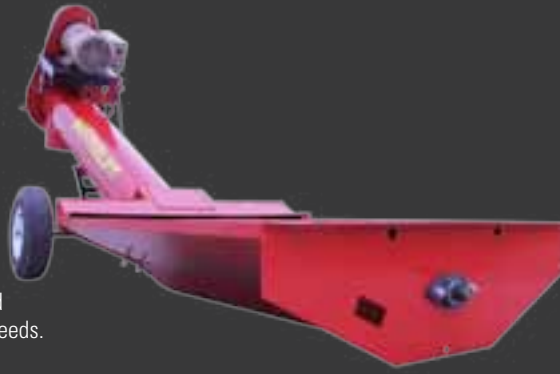
Hydraulic Drive shipped complete with hydraulic control valve. 8" Single Drive hydraulic transfer requires 10GPM at 650PSI 10", Double Drive hydraulic transfer requires 10GPM at 1000PSI.

Gas Drive available on 8" and 10". Features heavy-duty engine mount with adjustable belt tension for engaging and disengaging auger while motor is running. Shipped complete with enclosed belt guard, reduction gearbox, belts and pulley*.

Motor Requirements 8" - 5.5HP | 10" - 7.5 HP

All transfers are shipped complete with undercarriage.

*Motor and motor pulley not included.



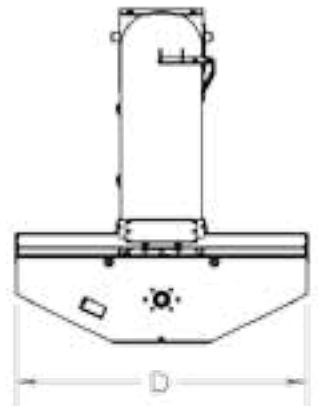
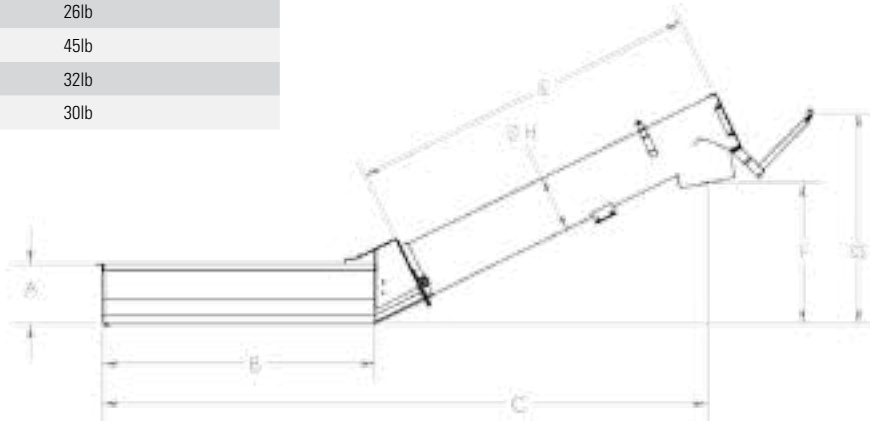
IT'S NOT AN ORDINARY AUGER... **IT'S A WESTFIELD.**

SPECIFICATIONS & FEATURES

	HOPPER HEIGHT	HOPPER LENGTH	TOTAL LENGTH	HOPPER WIDTH	TUBE LENGTH	SPOUT HEIGHT	HANDLE HEIGHT	TUBE DIAMETER	ELEC. HP REQ.	GAS HP REQ.	HYD. REQ.
	A	B	C	D	E	F	G	H			
8" VERSION	10 3/4"	48"	105"	35 3/4"	60"	25 5/8"	36 5/8"	8"	3HP	5.5HP	10GPM, 650PSI
10" VERSION	10 3/4"	48"	105"	35 3/4"	60"	25"	37 1/2"	10"	5HP	7.5HP	10GPM, 1000PSI

	HANDLE FORCE TO BALANCE
8" ELEC.	40lb
8" HYD.	16lb
8" GAS	26lb
10" ELEC.	45lb
10" HYD.	32lb
10" GAS	30lb

	8" ELEC.	8" HYD.	8" GAS	10" ELEC.	10" HYD.	10" GAS
WEIGHT WITH DRIVE	365lb	237lb	335lb	410lb	285lb	395lb
WEIGHT, NO DRIVE	275lb	*****	300lb	310lb	*****	320lb



WESTFIELD

Box 39, 74 Main Street
Rosenort, Manitoba
Canada R0G 1W0

866.467.7207
sales@grainaugers.com
grainaugers.com

AGI
AG GROWTH INTERNATIONAL