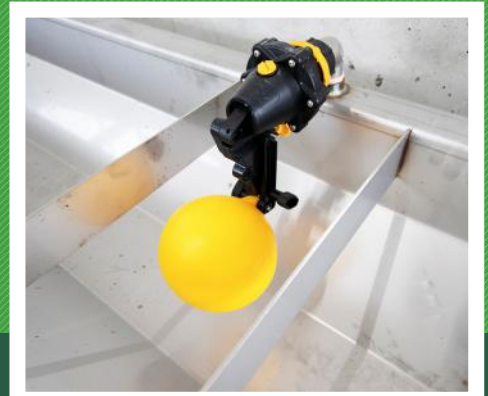




DLS BARN
SOLUTIONS INC.

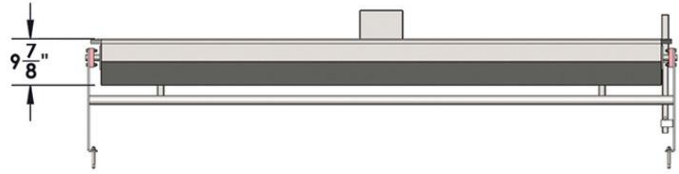
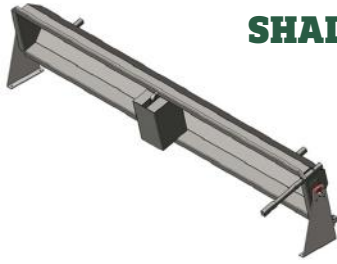
DLS TIP TROUGHS



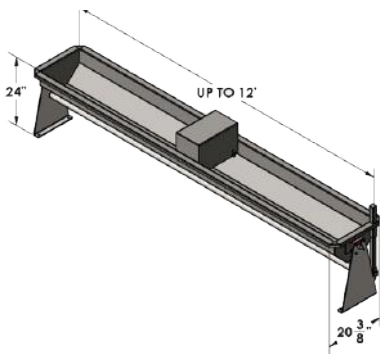
www.dlsbarnsolutions.ca



SHALLOW STAINLESS STEEL TIP TROUGHS



DIMENSIONS



CUSTOM SIZING AVAILABLE



DLS TIP TROUGH KEY FEATURES

- ALL STAINLESS STEEL (GRADE 304)
- HEAVY DUTY 11 GAUGE STEEL
- WALL AND FLOOR MOUNT OPTIONS
- HIGH FLOW RATE - 50 GPM AT 30 PSI

PART NUMBER	DESCRIPTION - WALL MOUNT
58501	WATERER - DLS STYLE SHALLOW TIP TROUGH - WALL MOUNT - 48" - C/W JOBE FLOAT
58503	WATERER - DLS STYLE SHALLOW TIP TROUGH - WALL MOUNT - 60" - C/W JOBE FLOAT
58505	WATERER - DLS STYLE SHALLOW TIP TROUGH - WALL MOUNT - 72" - C/W JOBE FLOAT
58507	WATERER - DLS STYLE SHALLOW TIP TROUGH - WALL MOUNT - 84" - C/W JOBE FLOAT
58509	WATERER - DLS STYLE SHALLOW TIP TROUGH - WALL MOUNT - 96" - C/W JOBE FLOAT
58511	WATERER - DLS STYLE SHALLOW TIP TROUGH - WALL MOUNT - 108" - C/W JOBE FLOAT
58513	WATERER - DLS STYLE SHALLOW TIP TROUGH - WALL MOUNT - 120" - C/W JOBE FLOAT
58515	WATERER - DLS STYLE SHALLOW TIP TROUGH - WALL MOUNT - 132" - C/W JOBE FLOAT
58517	WATERER - DLS STYLE SHALLOW TIP TROUGH - WALL MOUNT - 144" - C/W JOBE FLOAT

PART NUMBER	DESCRIPTION - FLOOR MOUNT
58500	WATERER - DLS STYLE SHALLOW TIP TROUGH - FLOOR MOUNT - 48" - C/W JOBE FLOAT
58502	WATERER - DLS STYLE SHALLOW TIP TROUGH - FLOOR MOUNT - 60" - C/W JOBE FLOAT
58504	WATERER - DLS STYLE SHALLOW TIP TROUGH - FLOOR MOUNT - 72" - C/W JOBE FLOAT
58506	WATERER - DLS STYLE SHALLOW TIP TROUGH - FLOOR MOUNT - 84" - C/W JOBE FLOAT
58508	WATERER - DLS STYLE SHALLOW TIP TROUGH - FLOOR MOUNT - 96" - C/W JOBE FLOAT
58510	WATERER - DLS STYLE SHALLOW TIP TROUGH - FLOOR MOUNT - 108" - C/W JOBE FLOAT
58512	WATERER - DLS STYLE SHALLOW TIP TROUGH - FLOOR MOUNT - 120" - C/W JOBE FLOAT
58514	WATERER - DLS STYLE SHALLOW TIP TROUGH - FLOOR MOUNT - 132" - C/W JOBE FLOAT
58516	WATERER - DLS STYLE SHALLOW TIP TROUGH - FLOOR MOUNT - 144" - C/W JOBE FLOAT

DLS BARN SOLUTIONS is the North American partner for Jourdain stabling, and the Canadian partner for ACME ventilation, La Buvette drinkers and Easy Swing cow brushes. Through a strong dealer network, we are able to provide stabling solutions throughout North America, and ventilation, water and cow brush solutions throughout Canada. Associated with Dairy Lane Systems, DLS Biogas and DLS Structures, we have been serving dairy farmers for over 25 years, and through the four DLS companies, we are in a unique position to offer a complete solution to today's dairy farmer.

Stay Connected With DLS!

E-Newsletter Subscription @ www.dairylane.ca/subscribe

