



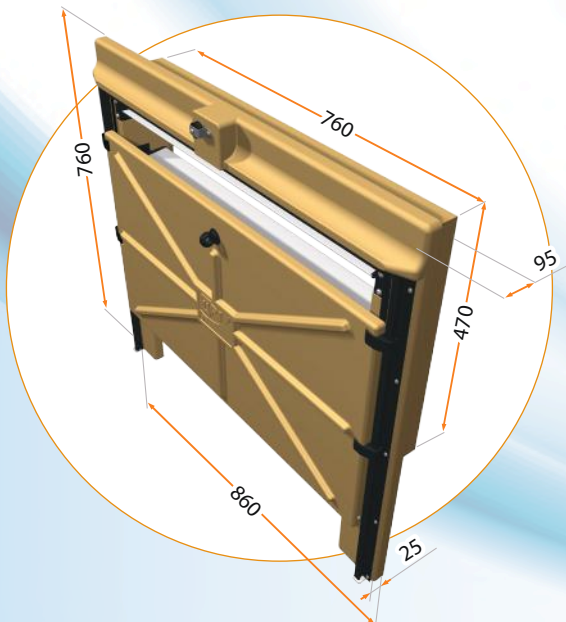
Both the housing and the movable plate of this type of inlet valve introduced in 2017 are manufactured of high-quality polyurethane. Q-Ion seals are placed around the outside of the housing. Therefore, this inlet valve is perfectly suited to use at extremely low temperatures. The four specially formed louvres can be positioned independently. The polyurethane plate slides along a guide rail using specially developed gliders. This prevents them from sticking. The movable plate can be removed without having to adjust the position of the flap. This unique feature makes installation and cleaning easier. The omniflux has been developed to direct the airflow independently from the required capacity. This means that this inlet valve is perfectly suitable for use in houses where there are obstacles or in very wide houses.

CAPACITY

Capacity in m³/hour at a static pressure of:

Position	10 Pa	20 Pa	40 Pa
Horizontal	3200	4450	6400
30° in one direction	2250	3200	4500
30° in two directions	2150	3000	4300

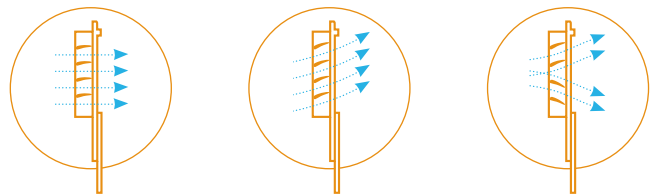
SPECIFICATIONS



INFORMATION

Run	42 cm / 15.9 inch
Force	3 kg / 29.5 Newtons
Number / pallet (1.20 x 1.00 x 2.40 m)	22 (2 boxes)

AIR FLOW



ACCESSORIES

Wire mesh for omniflux	TPI-117
Omniflux connection set	TPI-205
Wind hood 4000	TPI-952
Light trap	TPI-919
Suspension brackets for wind hood	TPI-903