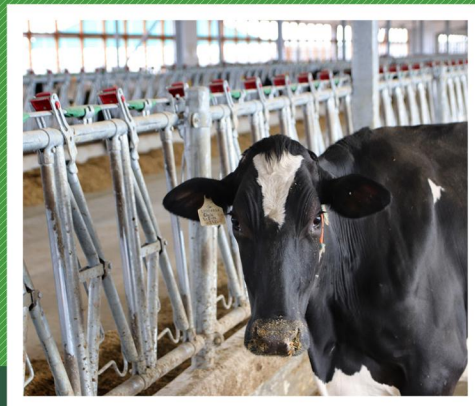
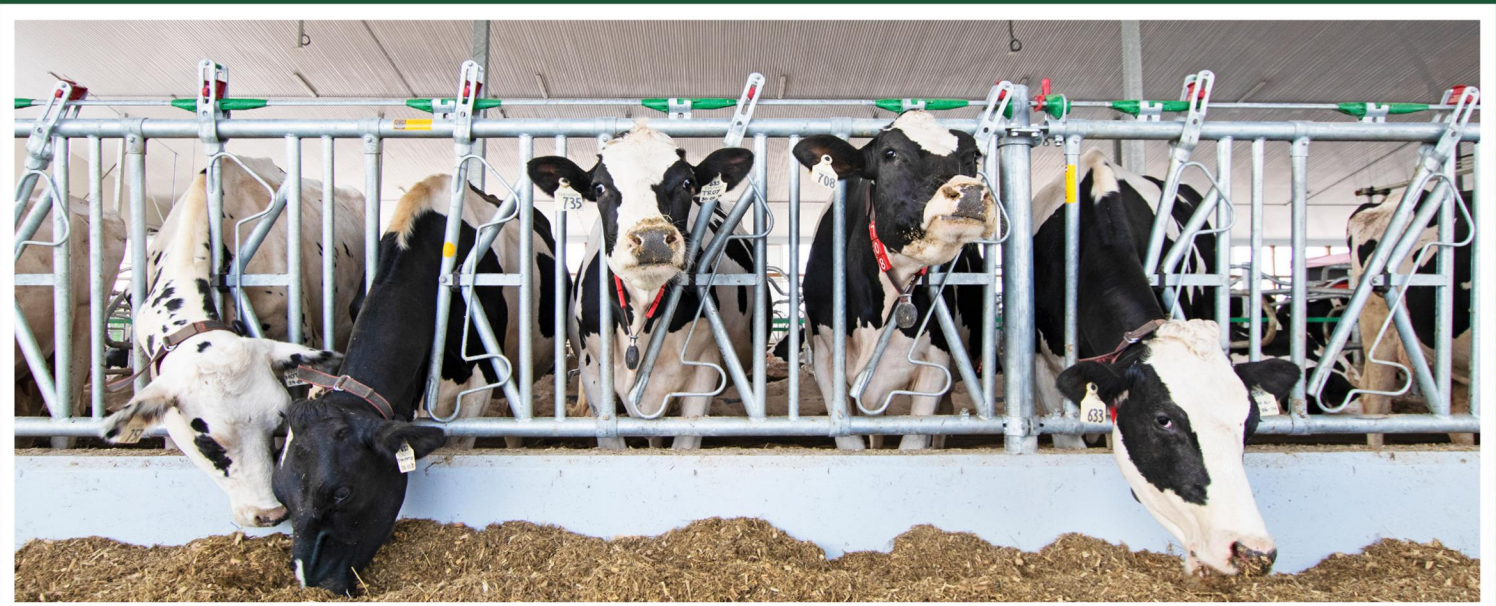


DLS BARN
SOLUTIONS INC.

HEADLOCKS & FEED FRONTS



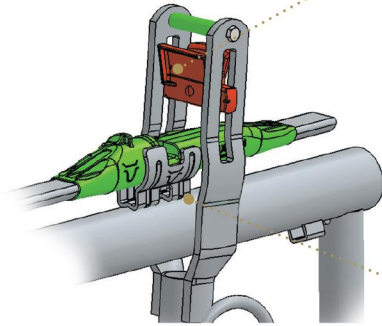
www.dlsbarnsolutions.ca



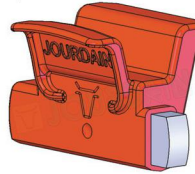
JOURDAIN

HEADLOCKS > PRODUCT SPECIFICATIONS & FEATURES

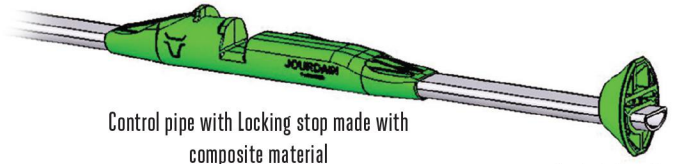
Heavy duty locking tab made from high grade steel and coated with a polyamide shock resistant composite. It can be released individually or as a group.



PATENTED



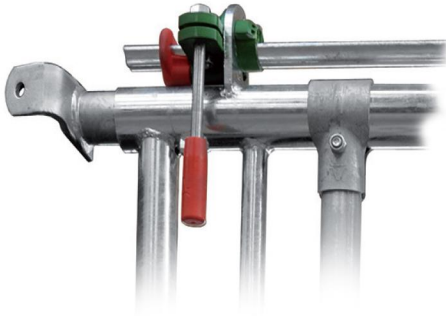
Control pipe supported at each opening



Control pipe with Locking stop made with composite material

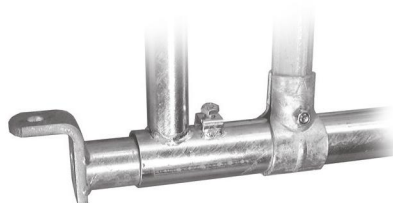
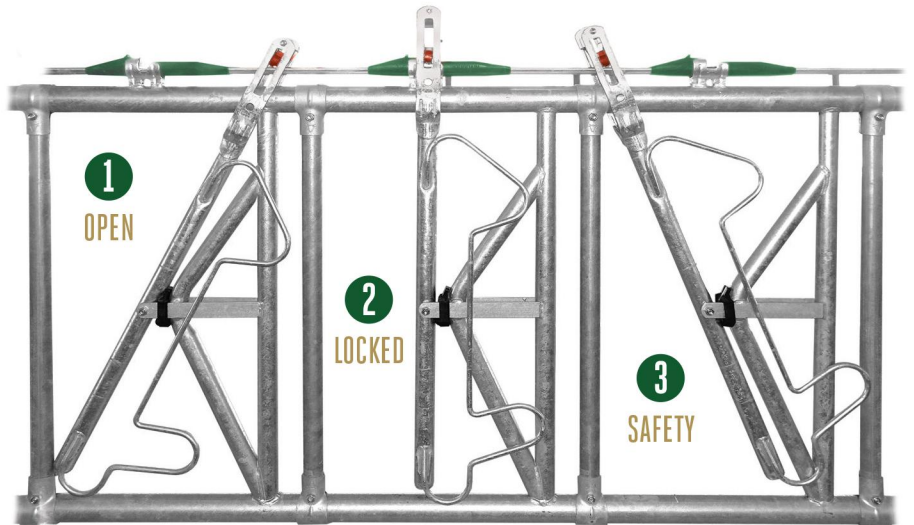
Control pipe stop

3 POSITION ADJUSTABLE HEADLOCK



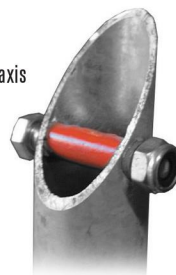
PATENTED

Control pipe handle locks in open or closed position and operates up to 100' of headlocks



Adjustable, swiveling and raisable end-piece

Calibrated axis



Headlock swing arm bushing with a short thread bolt to ensure product longevity

PATENTED



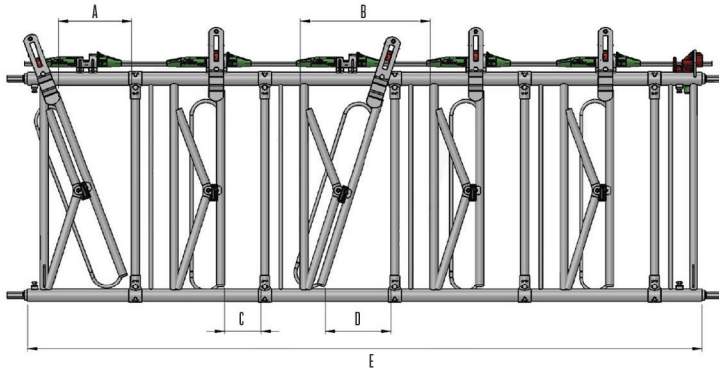
RAZ SYSTEM: Automatic release system of swing arms in opened positions (without noise)



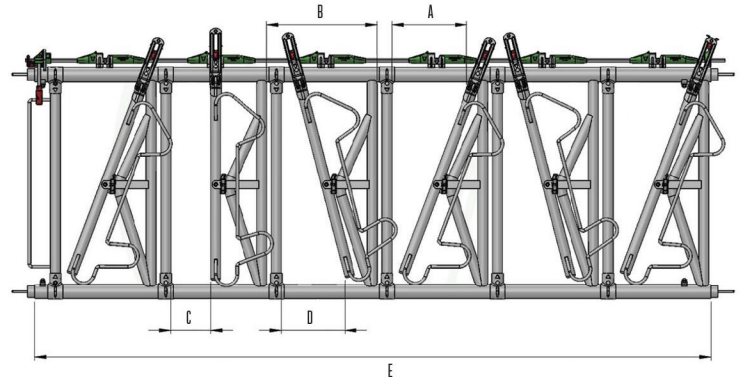
JOURDAIN

HEADLOCKS > ADJUSTABLE HEADLOCKS

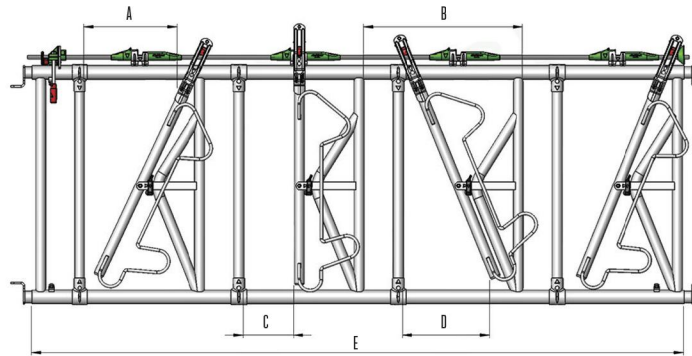
ADJUSTABLE CALF HEADLOCKS



ADJUSTABLE HEIFER HEADLOCKS



ADJUSTABLE COW HEADLOCKS



JOURDAIN ADJUSTABLE HEADLOCK DIMENSIONS

DLS PART NUMBER	DESCRIPTION	A UNLOCKED OPENING (TOP)	B TOTAL OPENING SPACE	C LOCKED HEADSPACE	D UNLOCKED OPENING (BOTTOM)	E OVERALL LENGTH
ADJUSTABLE CALF HEADLOCKS (AGE 0 - 7 MONTHS)						
52589	5 Opening	10"	17 3/4"	5" (+1 1/2") ¹	9"	92" ²
52590	6 Opening	10"	17 3/4"	5" (+1 1/2") ¹	9"	110" ²
55849	8 Opening	10"	17 3/4"	5" (+1 1/2") ¹	9"	149 1/4" ²
ADJUSTABLE HEIFER HEADLOCKS (AGE 8-15 MONTHS)						
56602	6 Opening	18 3/4"	12 5/8"	6 3/4" (+1 1/2")	10 3/4"	115" ³
56603	7 Opening	19 1/2"	11 5/8"	10 3/4" (+2")	6"	137 3/4" ³
ADJUSTABLE COW HEADLOCKS (AGE 15 MONTHS +)						
54575	1 Opening	14 1/2"	26 1/8"	8 1/4" (+4 3/4")	13 3/4"	28 3/8" ³
52560	4 Opening	14 5/8"	22 1/8"	7 5/8" (+2")	13 1/8"	90 1/8" ³
54648	4 Opening	15 1/4"	26 1/8"	8 1/4" (+4 3/4")	14 1/4"	106 1/2" ³
52563	5 Opening	14 3/8"	22 7/8"	7 3/8" (+2")	13 3/8"	115" ³
54647	5 Opening	14 7/8"	28 5/8"	7 7/8" (+4")	13 7/8"	138 1/2" ³
52567	6 Opening	14 3/8"	22 7/8"	7 3/8" (+2")	13 3/8"	138" ³

¹ DIMENSIONS ARE STANDARD FROM JOURDAIN'S FACTORY AND CAN BE ADJUSTED WIDER BY THE INDICATED AMOUNT.

² PLUS ADJUSTABLE END PIECES (EXTENDS 5.5" MAX PER SIDE).

³ PLUS ADJUSTABLE END PIECES (EXTENDS 8" MAX PER SIDE).



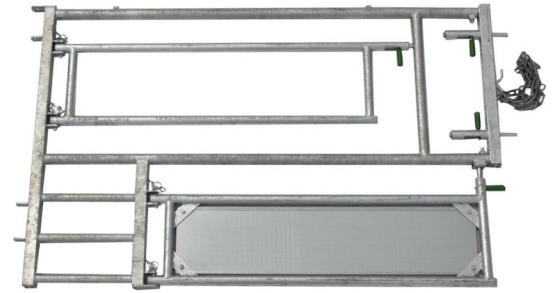
JOURDAIN

HEADLOCKS > SPECIALTY

INSEMINATION HEADLOCK & GATE

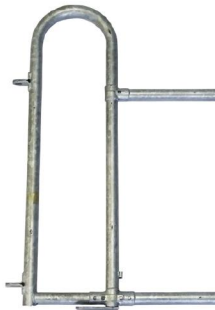


52470
INSEMINATION HEADLOCK
34.5" WIDE



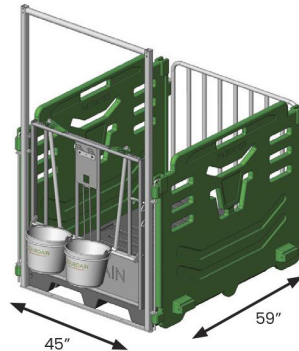
52471
INSEMINATION GATE
78" WIDE

HEADLOCK MAN PASS



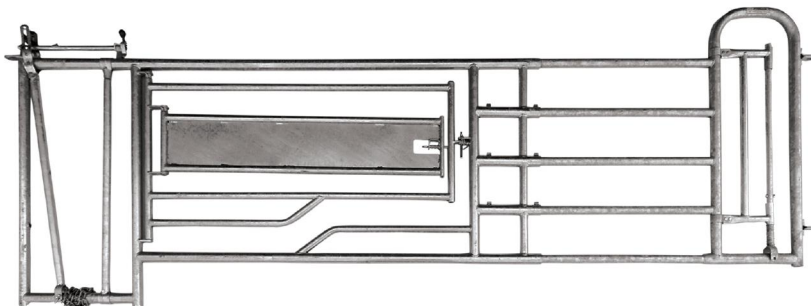
53942
HEADLOCK MAN PASS
57" HIGH WITH 12" WIDE WALK
THROUGH SPACE

EASY CLEAN CALF PEN WITH HEADLOCKS



54868	GREEN SIDE
54867	FRONT (GALV.)
54871	BACK (GALV.)
54869	FLOOR (SLATS)
54967	PIN FOR SIDES
54870	BACK BRACKET FOR CONCRETE WALL
57295	CALF PEN HAY FEEDER

3 IN 1 VET PANEL WITH INTEGRATED INSEMINATION HEADLOCK AND GATE



55442
THIS REQUIRES PART# 55445 - PANEL END - MAN PASS WITH SERVICE GATE
146" - 159" ADJUSTABLE WIDTH

BULL HEADLOCKS



54282
BULL HEADLOCK - SINGLE
33" WIDE



JOURDAIN

FEED FRONTS > ANGLED FEED FRONT & FEED RAIL



ANGLED FEED FRONT: OPTION A - STRAIGHT OPTION (24' SECTIONS)¹



¹ USE PART# 54378 FOR ANGLED FEED FRONT PIPE (PIPE - 2-3/8" X 24' - 1/8" WALL)



54526
2-3/8" PIPE TO OCTOPOST



54283
FRONT BAR CLAMP



52557
FRONT BAR WITH BLOCKAGE



52555
FRONT BAR

STRUCTURAL POST MOUNT



² To fasten 2-3/8" pipe flush to a structural post without welding requires:
i. 2 x part# 52515 Pipe Strap - 2-3/8" (or part# 54350 for 1-7/8")
ii. 2 x Square U-bolts - Choose from 4" (51734), 5" (51735), 6" (51736), or 7" (54969)

ANGLED FEED FRONT: OPTION B - INCLINE OPTION³



³ REQUIRES TWO END PIECES (52507, 52508 OR 54650) AT THE TOP TO MOUNT WITH THE HEADLOCK MOUNTING BRACKET



54649
HEADLOCK MOUNTING BRACKET FOR OCTOPOST



55066
HEADLOCK MOUNTING BRACKET FOR OCTOPOST - CENTER MOUNT

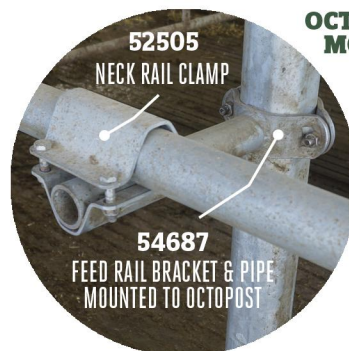


⁴ For a steeper incline use *part# 52558 when mounting per section, or Feed Rail hardware (part# 52505 and 54687) when mounting Option A

FEED RAIL⁵



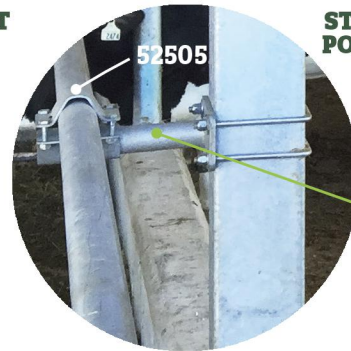
⁵ USE PART# 55036 FOR FEED RAIL PIPE (PIPE 2-3/8" X 24' - 3/16" WALL)



OCTOPOST MOUNT

52505
NECK RAIL CLAMP

54687
FEED RAIL BRACKET & PIPE MOUNTED TO OCTOPOST



STRUCTURAL POST MOUNT

54971⁶
FEED RAIL BRACKET & PIPE MOUNTED TO STRUCTURAL

⁶ REQUIRES 2 SQUARE U-BOLTS (PART NUMBERS LISTED ABOVE)



JOURDAIN

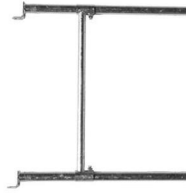
HEADLOCKS > HARDWARE



OCTOPOST
SIZES BELOW¹



57296
4" OCTOPOST JOINER BRACKET
(TO CONNECT 2 POSTS)



52559
HEADLOCK EXTENSION



52507
HEADLOCK OFFSET END PIECE



52508
HEADLOCK FLAT END PIECE



54650
HEADLOCK STANDARD END PIECE



55066²
HEADLOCK MOUNTING BRACKET FOR
OCTOPOST - CENTER MOUNT



57279 / 57292
OCTOPOST CLAMP - BARE HALF (4" / 6")



57278
HEADLOCK CONTROL HANDLE



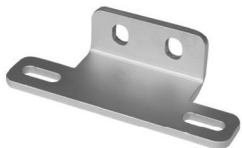
52584
HEADLOCK CONTROL PIPE STOP



52583
HEADLOCK LOCKING TUBE JOINER



54649
HEADLOCK MOUNTING BRACKET
FOR OCTOPOST



55104³
HEADLOCK MOUNTING BRACKET
FOR 5" - 7" STRUCTURAL POST



51694
HEADLOCK MOUNTING TAB
FOR SQUARE POST



51693
HEADLOCK MOUNTING TAB
FOR ROUND POST



52558
HEADLOCK INCLINE OPTION



57439
HEADLOCK INDIVIDUAL LOCKING PIN



57472
4" - 8" DOUBLE SLOTTED PLATE FOR
STRUCTURAL MOUNTED FREE STALLS
AND FEED RAIL



58499
4" - 8" SINGLE SLOTTED STRUC-
TURAL POST BACKING PLATE FOR
HEADLOCKS AND FANS - EACH

OCTOPOST SIZES¹

- 54517 OCTOPOST - 4" X 66"
- 58129 OCTOPOST - 4" X 66" - HEAVY WALL
- 54501 OCTOPOST - 4" X 84"
- 58488⁴ OCTOPOST - 4" X 126" - WITHOUT CAP
- 54508 OCTOPOST - 6" X 84"

² Part# 55066 requires bare clamp part# 57279 on the ends of each headlock row.

³ Square U-bolt sold separately (Part# 51735 - 5", 51736 - 6", 54969 - 7").

⁴ Special order only.



JOURDAIN

HEADLOCKS > ORDERING & MOUNTING OPTIONS

HEIFER & COW HEADLOCKS ARE SOLD BARE (WITHOUT THE 4 END PIECES, CONTROL HANDLE & LOCK STOP)
(CALF HEADLOCKS ARE SOLD COMPLETE WITH ENDS, CONTROL HANDLE & LOCK STOP FOR EACH SECTION)

STEP 1 DETERMINE HEADLOCK SIZES & QTY NEEDED

STEP 2 DETERMINE WHAT ENDS YOU NEED FOR THE HEADLOCKS (52507, 52508, 54650, 55066)

NOTE: YOU WILL REQUIRE 4 END PIECES PER HEADLOCK.

STEP 3 DETERMINE THE NUMBER OF CONTROL HANDLES AND GREEN LOCK STOPS YOU NEED (57278, 52584)

NOTE: AT A MINIMUM YOU NEED 1 CONTROL HANDLE PER 100'. YOU ALSO NEED AT LEAST ONE CONTROL PIPE STOP PER CONTROL HANDLE.

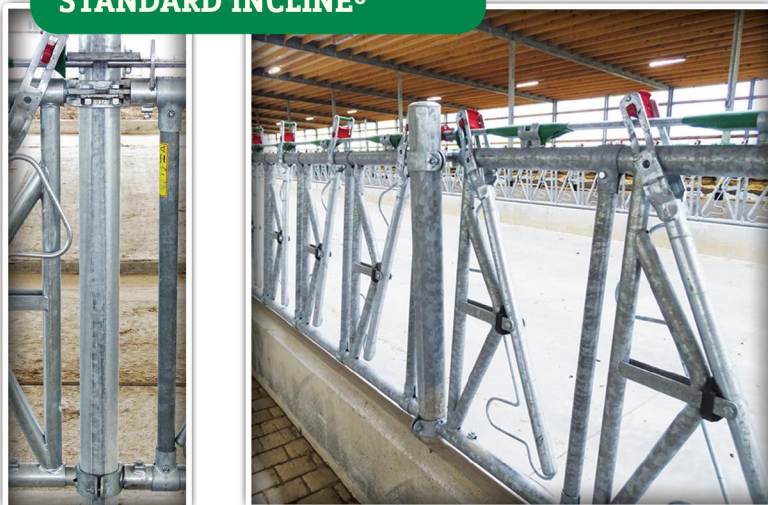
STEP 4 DETERMINE THE NUMBER OF HEADLOCK LOCKING TUBES THAT NEED TO BE CONNECTED (52583)

NOTE: DLS RECOMMENDS BOLTING THE LOCKING TUBE JOINER TO THE HEADLOCKS RATHER THEN WELDING IT IN PLACE. YOU NEED TO ORDER 2 LOCKING TUBE JOINER BOLTS (PART# 54320) WITH EACH LOCKING TUBE JOINER.

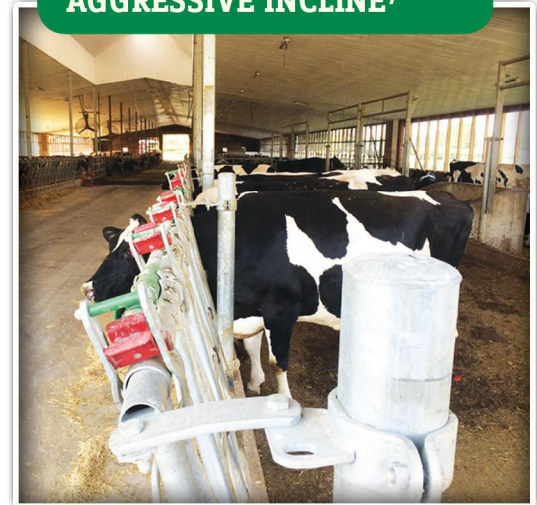
STEP 5 DETERMINE THE MOUNTING HARDWARE REQUIRED & DESIRED INCLINE LEVEL (54649, 55104, 51694, 51693)

NOTE: FOR A GREATER INCLINE UTILIZE PART# 52558.

STANDARD INCLINE⁶

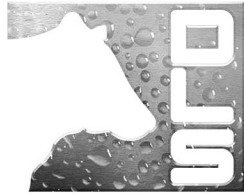


AGGRESSIVE INCLINE⁷



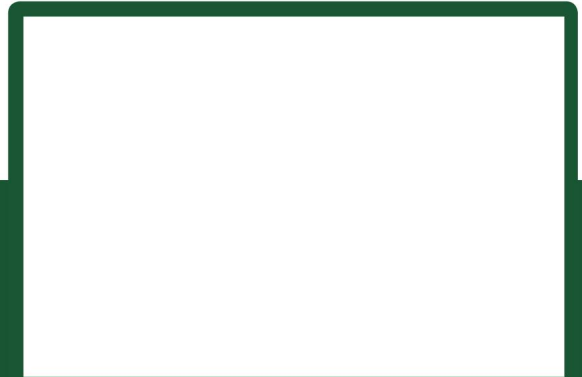
⁶ USE PART# 54649 ON THE TOP AND 55066 ON THE BOTTOM

⁷ USE PART# 54649 AND 52558 ON THE TOP AND 55066 ON THE BOTTOM



DLS BARN
SOLUTIONS INC.

AUTHORIZED DEALER



DLS BARN SOLUTIONS is the North American partner for Jourdain stabling, and the Canadian partner for ACME ventilation, La Buvette drinkers and Easy Swing cow brushes. Through a strong dealer network, we are able to provide stabling solutions throughout North America, and ventilation, water and cow brush solutions throughout Canada. Associated with Dairy Lane Systems, DLS Biogas and DLS Structures, we have been serving dairy farmers for over 25 years, and through the four DLS companies, we are in a unique position to offer a complete solution to today's dairy farmer.



JOURDAIN



Stay Connected With DLS!

E-Newsletter Subscription @ www.dairylane.ca/subscribe



6403 Egremont Drive | Komoka, ON. | N0L 1R0 | Canada
TELEPHONE: 519-666-1404 | TOLL-FREE: 1-800-361-2303 | FAX: 519-666-0627
EMAIL: info@dairylane.ca | WEB: www.dlsbarnsolutions.ca