

NEW !

 **JOURDAIN**



Made in  
France

**WORLD LEADER IN CATTLE TUBULAR**

## «COWFLEX»

PATENT N° 1456307

### THE PERFECT BALANCE BETWEEN STEEL AND PEHD

The Cowflex freestall brings more comfort on the contact area (animal/freestall) thanks to its PEHD covered metallic lower part with 3 pivot points.

Join us on  
You Tube,  
type Cowflex



#### STEEL STRUCTURE FOR A MOUNTING ON BLS/BLD TREFLE POST

- The sturdy metallic frame keeps the cow straight in the freestall.
- The animal cannot turn around which avoids soiling the front of the bedding.
- Less work to keep the cows clean compared to a flexible freestall.
- The flange-webbing guide (thickness 5 mm) rigidifies the freestall; the webbing provides a comfortable contact at the withers.

#### ERGONOMIC DEFORMABLE CURVE



[www.jourdain.fr](http://www.jourdain.fr)

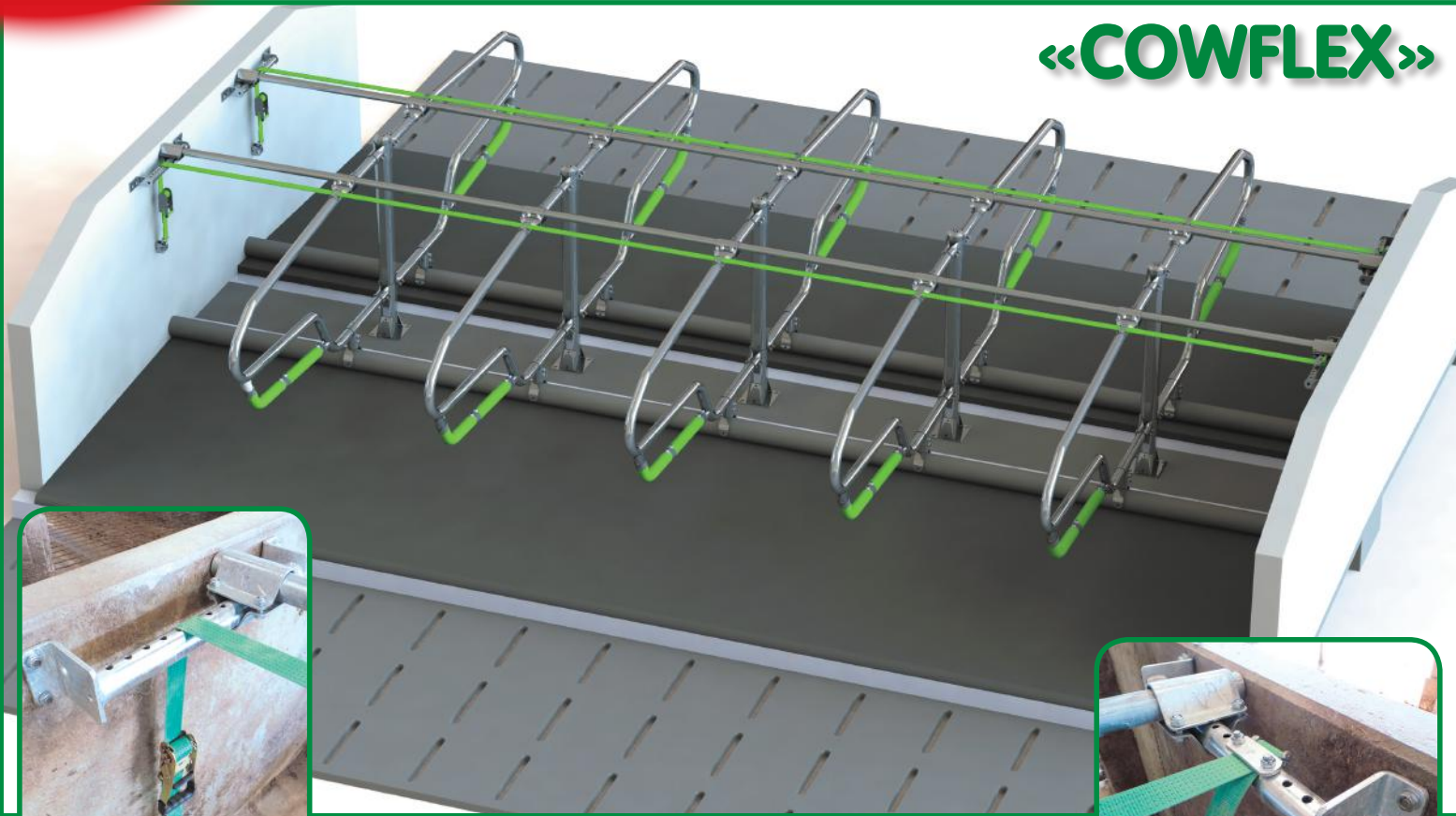
**NEW !**



Made in France

**WORLD LEADER IN CATTLE TUBULAR**

# «COWFLEX»

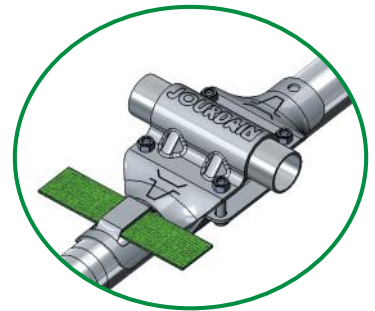


Adjustable wall support

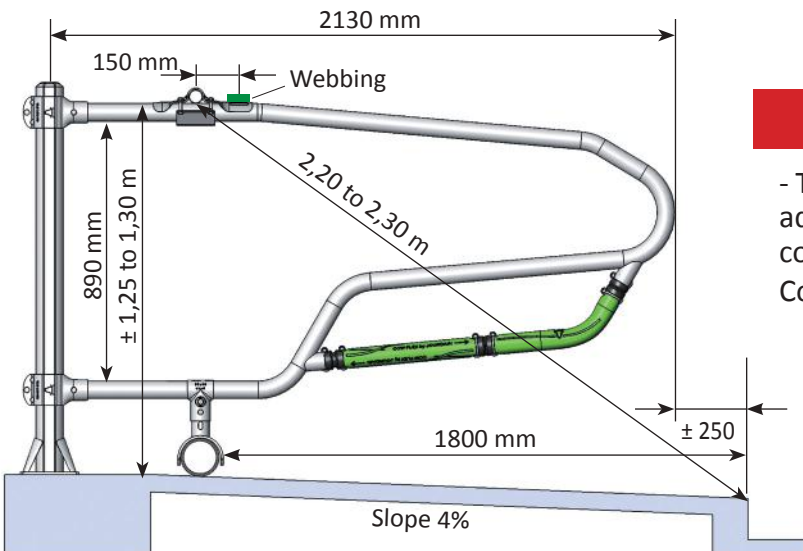


Adjustable wall support

- |               |   |        |
|---------------|---|--------|
| <b>LO3208</b> | Freestall pin type «Cowflex» plain 2,08 m   | 26 kg  |
| <b>LO9932</b> | Flange-webbing guide 60/49 thickness 5 mm   | 2,6 kg |
| <b>LO9933</b> | Adjustable wall support<br>(1 top rail cross clamp and 1 webbing tightening plate are included) | 5,2 kg |
| <b>LO9934</b> | Woven webbing 50 mm (100 m roll)  | 8,5 kg |
| <b>LO9935</b> | Webbing pawl  | 1,5 kg |
| <b>FE2117</b> | Multifix bracket (the pair)   | 1,2 kg |



Flange-Webbing guide (thickness 5 mm)



**Cowflex Mounting BLS (installation type Texane)**

## COMFORT OF ITS PEHD ERGONOMIC CURVE

- The PEHD covered galvanized metallic curve deforms to adapt to the position of the cow while lying down then, it comes back to its original form thanks to the 3 ball joints Cowflex.

