

Norlock PVC Planking's custom-designed profile makes it a superior building solution for a range of agricultural and industrial uses and applications. It is primarily used in livestock facilities for both interior walls and pen partitions. Its structurally advanced construction features more plastic per square foot, making it ready for all types of use without any wood reinforcement, saving you money. This durable planking is able to withstand the extra weight of equipment, waterlines, feeders, and controllers fastened directly to it.



FEATURES & BENEFITS

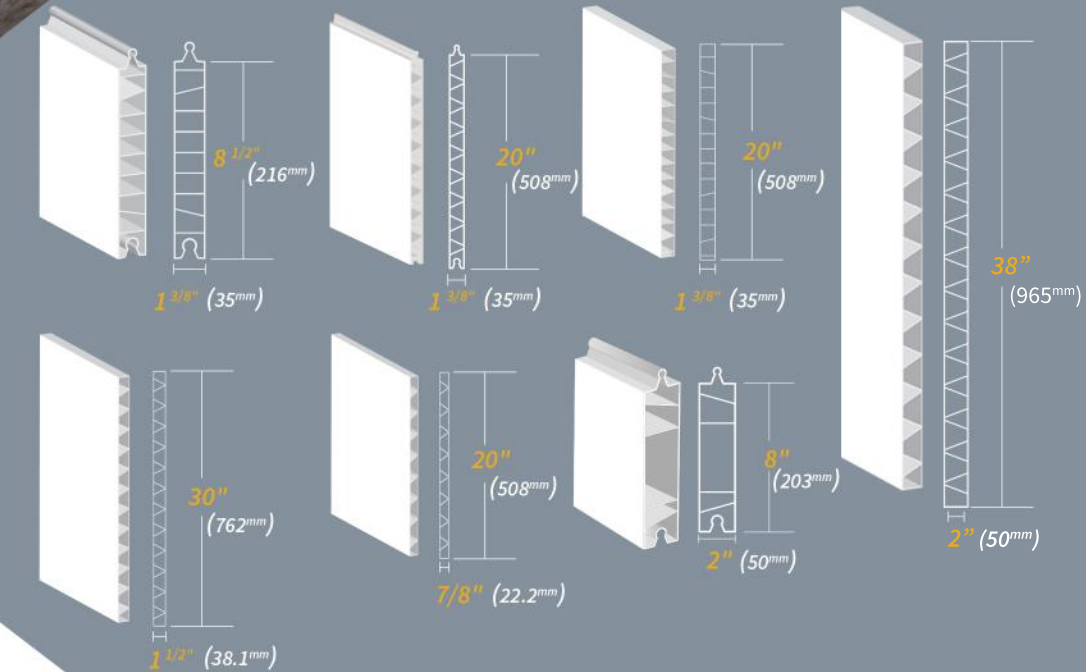
- No external support necessary
- A full range of PVC planking accessories
- Available in multiple widths & lengths
- Tight fitting tongue and groove
- Structurally superior (heavy items can be directly affixed)
- One piece creep
- Openings can be cut directly into Norlock Walls
- No waste
- Meets CFIA and FDA requirements
- Fire tested, ASTM E84-12
- High impact testing
- Ideal for livestock buildings & car washes
- Product of Canada
- Bright white to lighten your rooms
- Great for variety of uses

Norlock's easy-to-clean profile makes it useful for livestock penning, gating, inner divider walls, and interior walls

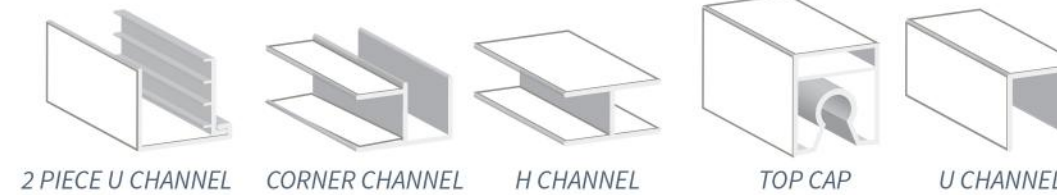


A versatile and cost-effective PVC plank, uniquely designed for superior strength and durability, requiring no secondary reinforcement.

PVC PLANKING & PANELS



NORLOCK TRIMS



PVC PLANKING DIMENSIONS

PLANK TYPE	WIDTH		HEIGHT	
Creep	7/8"	22mm	20"	500mm
Creep (Flat Top & Bottom)	1 3/8"	35mm	20"	500mm
Finish	1 3/8"	35mm	8.5"	220mm
	1 3/8"	35mm	20"	500mm
	2"	50mm	38"	965mm
Wall	2"	35mm	8"	203mm
	1 3/8"	50mm	8.5"	220mm
	1 3/8"	50mm	20"	500mm

Norlock PVC Planking is available in multiple lengths. Contact your dealer for complete details.

With Norlock's industry leading design in Strength and Weight, makes Norlock the most durable plank on the market.